

QUALITY CONTROL AND PACKAGING - SMART

Bianco® creates innovative systems and high technology machines for automation and control, converting machineries, especially inspecting, cutting rolling and packing systems.



OPTIONS

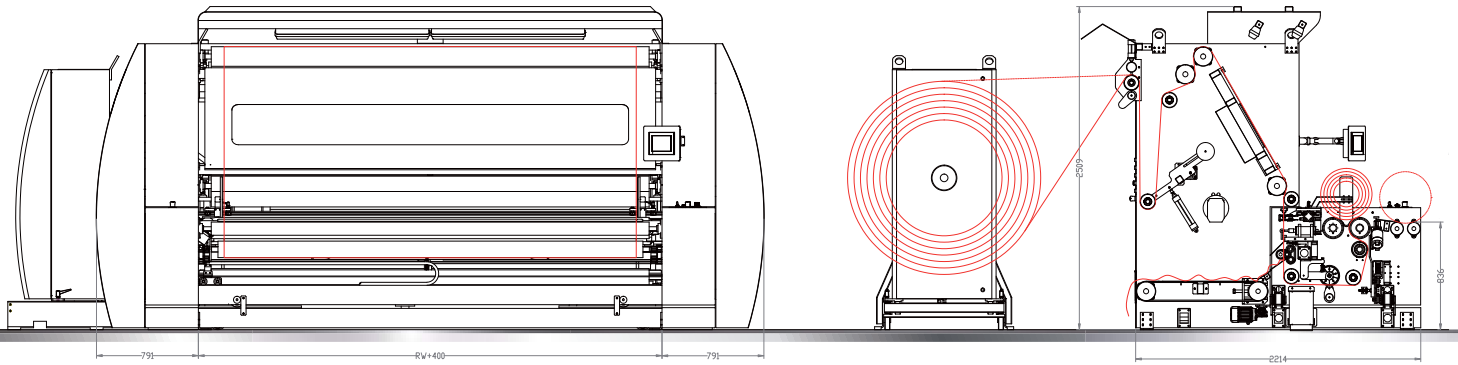
- tele-support
- lower light to inspect fabric in transparency
- control table with variable inclination
- brushless automation for perfect control of the fabric also at sustained speed
- roll weighing system inbound
- automatic roll unloading system
- automatic or semi-automatic fabric cutting
- automation for straight-reverse rolling
- management of barcode label printing
- management of fabric defect mapping
- label applicator to signal defects on the fabric

dimensions L x H x W	2200 x 2500 x (RW+2000)
material	carbon steel
colour for carbon steel	RAL 7015 beams, RAL 5015 frame, RAL 9003 casing
cylinder width	from 1800 mm to 4200 mm
fabric width	from 1600 mm to 4000 mm
roll diameter	up to 450 mm (standard version) up to 1500 mm (special versions)
fabric input	from bulk, from layer, from small roll, from relax conveyor, from slide, etc
control table	30° inclination compared to vertical (standard)
upper light	lights in neon or led with sunlight
rolling system	straight only or straight - reverse
installation	fastened to floor
fabric cutting system	manual or semi-automatic
new roll start	manual
max mechanical speed	up to 80 m/min (standard) up to 150 m/min (special versions)
compressed air	in this case 6/7 bar
standard voltage	standard 3x400 Vac – 50Hz
installed electrical power	minimum 4.5 Kw
automation	standard A/C piloted by inverter
fabric tensioning control	cylinder with load cell for constant pulling
ambient temperature	from 0 to +55°
noise	< 75 Db (A)
operator panel	Schneider colour touch-screen
control PLC	standard Schneider



www.bianco-spa.com

QUALITY CONTROL AND PACKAGING - SMART



Bianco® SMART

The specification, data and drawings contained herein are purely indicative and may be subject to changes at the discretion of the manufacturer.



www.bianco-spa.com