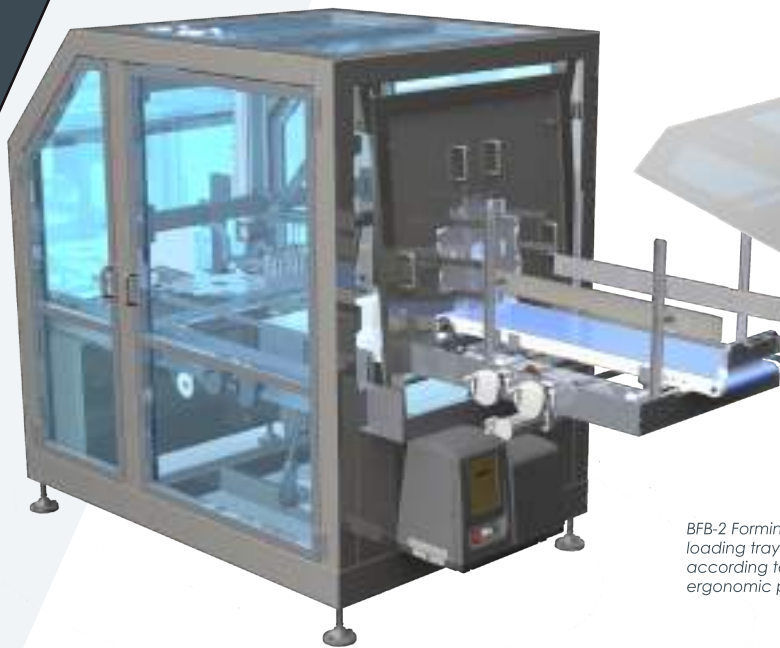


# BFB-2

## CARTON FORMING MACHINE

### CARDBOARD PACKAGING



*BFB-2 Forming Machine:  
loading tray designed  
according to  
ergonomic principles*



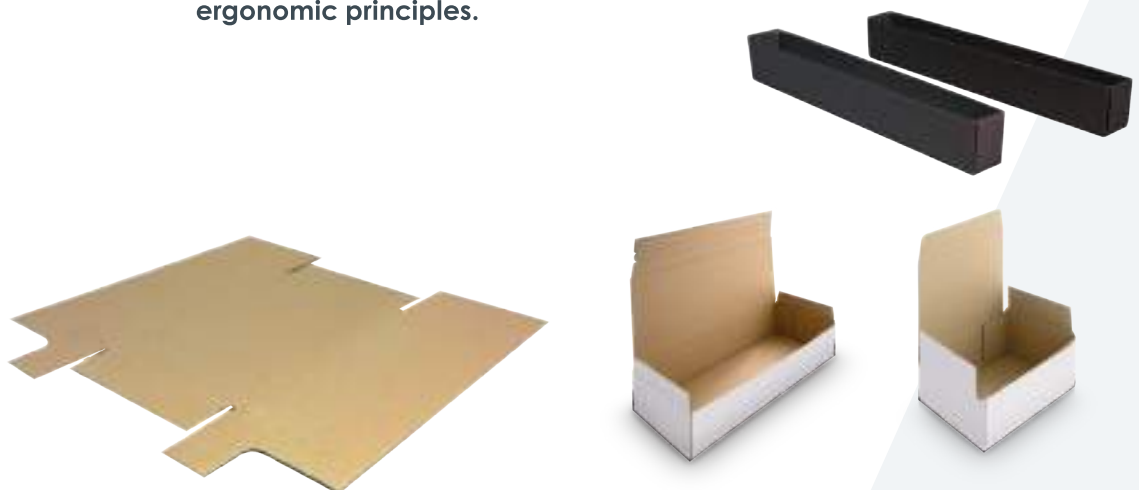
*BFB-2 Forming  
Machine: formed  
boxes output*

The **BFB-2 (S-D) Forming Machine** is ideal for forming boxes or trays that require the closure of the fund by glue, snap hooks or cuffed. Built on a **sturdy frame** in painted iron or stainless steel AISI 304 (optional) and side panels made of aluminum alloy with high resistance, **use materials that blend well with the food industry**; also the onboard cabinet can be supplied in AISI 304 (optional).

The simplicity of construction grants a **quick and easy maintenance**, with consequent cost savings.

The **BFB-2 Forming Machine** can be equipped with a single trainer "S" or double "D"; the magazine suits various configurations using simple adjustments to be made through leaflets prepared. **The loading tray has been designed according to ergonomic principles.**

The entire working area is protected by **transparent polycarbonate panels** with reduced encumbrance allowing **greater freedom of access during maintenance**. The additional protection through safety microswitches in class 4, makes the Forming Machine BFB-2 respondent to the current CE legislation.



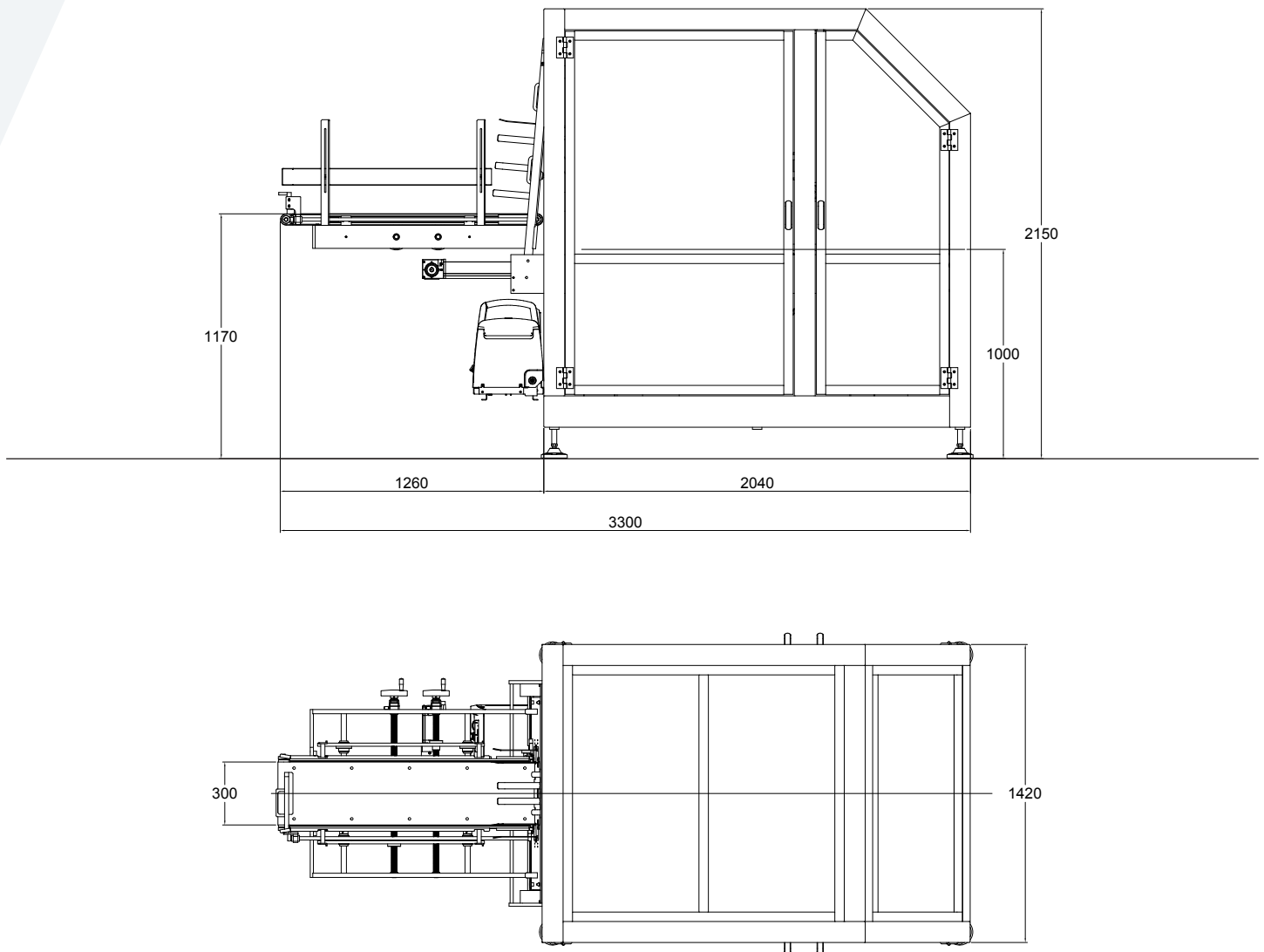
# BFB-2

## CARTON FORMING MACHINE

### TECHNICAL SPECIFICATIONS

	BFB - 2S	BFB - 2D
number of head	1	2
blanks dimensions	A= from 100 to 500 mm B= from 130 to 800 mm	A= from 100 to 500 mm B= from 130+130 to 360+360 mm
speed (box/min)	up to 50	up to 95

### LAYOUT



The specifications and layout in the present catalog are purely indicative and can suffer variations in unquestionable opinion of the builder.