

HS-E

FLOW PACK MACHINE

FLEXIBLE PACKAGING



HS-E flow pack machine: automatic product feeding

The **HS-E flow pack machine** can pack a very large range of products allowing protection from external agents. It is particularly suitable for food, pet food, cosmetics, household, pharmaceutical, electromechanical sectors.

VERSIONS AND ACCESSORIES

- Right or left output version
- Stainless steel version (parts subject to oxidation)
- Accompanying bars for high or large size products
- automatic product feeding devices
- flat or notched, full or partial, warm or cold, wide or narrow sealing units
- shaped cutting knives, with punches for eurohole, notches for easy opening
- tracing, hot, inkjet coders, self-adhesive labels application



Product stabilizing before wrapping



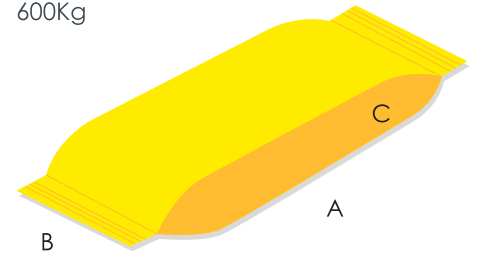
Product containment before wrapping

HS-E

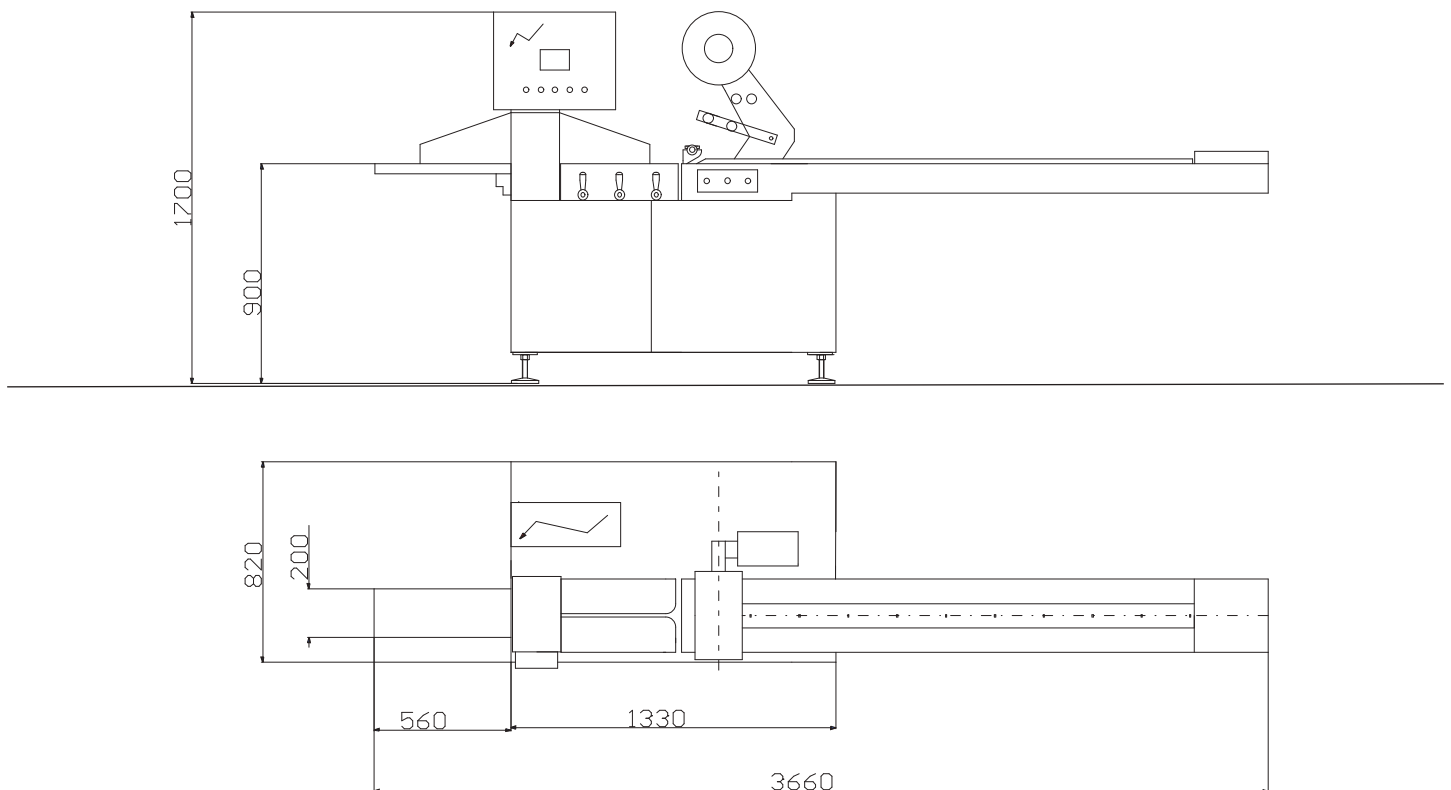
FLOW PACK MACHINE

TECHNICAL SPECIFICATIONS

	HS-E/160	HS-E/270
bag sizes (mm - min/max)	A 50/500 B 30/150 C 0/60	A 100/700 B 50/250 C 0/90
reel sizes (mm - min/max)	Ø up to 350 – width 60/450	Ø up to 350 – width 60/600
machine sizes (mm)	3000 x 900 x 1650 (h)	3800 x 1000 x 1650 (h)
format change	15/30 min.	15/30 min.
frequency up to	300 bags/minute	150 bags/minute
max power	4KW – 380V	6KW – 380V
weight	500Kg	600Kg



LAYOUT



The specifications and layout in the present catalog are purely indicative and can suffer variations in unquestionable opinion of the builder.